



INSTALLATION INSTRUCTIONS
XL Professional
Wall Mount Hood Liner Using Attic (in-line) Ventilator

PLEASE READ & SAVE THESE INSTRUCTIONS

ALL HOODS MUST BE INSTALLED BY A QUALIFIED INSTALLER OR SERVICE AGENCY

WARNING - TO REDUCE RISK OF FIRE, ELECTRIC SHOCK OR INJURY TO PERSON, OBSERVE THE FOLLOWING:

- A. Installation work and electrical wiring must be done by qualified person(s) in accordance with all applicable codes and standards, including fire-rated construction. Switch power off at service panel and lock the service disconnection means to prevent power from being switched on accidentally during installation.
- B. When cutting or drilling into wall or ceiling, do not damage electrical wiring and other hidden utilities.
- C. All hoods must always exhaust to the outdoors.
- D. Sufficient air is needed for proper combustion and exhausting of gases through the flue (chimney) of fuel burning equipment to prevent back drafting. Local building codes may require the use of make-up air. Consult your local HVAC professional for specific requirements in your area. Follow the heating equipment manufacturer's guideline and safety standards such as those published by the National Fire Protection Association (NFPA), and the American Society for Heating, Refrigeration and Air Conditioning Engineers (ASHRAE), and state, municipal and local code authorities. The correct voltage, frequency and amperage must be supplied to the appliance from a dedicated, grounded circuit which is protected by a properly sized circuit breaker or time delay fuse.

WARNING - TO REDUCE THE RISK OF FIRE, USE ONLY METAL DUCTWORK

INSTALLER: Please retain these instructions for reference, then leave them with the homeowner.

HOMEOWNER: please read and keep the instructions for future reference.

If you have questions concerning the installation of this product, call ABBAKA at (800) 548-3932.

Tel. (800) 548-3932 - Fax (800) 548-3930 - webmail@abbaka.com - www.abbaka.com

P.O. Box 215., Bodega Bay, CA 94923

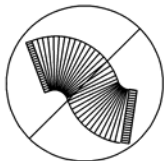


DUCTING & VENTING XL PROFESSIONAL HOOD LINER USING ATTIC (in-line) VENTILATOR

In order for the XL Professional Hood Liner to operate properly, it must sized correctly, have adequate CFM capacity, be hung properly (centered over cooktop and close enough to burners) and be vented correctly. Use this guide for reference.

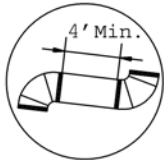


Use proper sized smooth galvanized ductwork.



Do not use flexible duct.

Ribbing creates resistance to airflow, reducing exhaust efficiency.



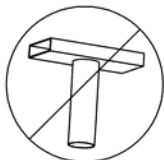
Do not space elbows closer than 4' to each other.

Do not make "S" turns or double elbows anywhere in duct run.



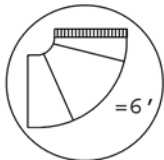
Do not reduce suggested minimum size anywhere in duct run.

Even in wall louvers and roof jacks.



Make gradual turns in duct run.

Do not turn sharp corners. Air cannot make 90° turns.



Maximum number of elbows in a duct run is 3.

Each elbow is equal to 6' of duct run.



Use the **shortest and straightest** duct run possible.

Maximum duct run is 51', including elbows.

Ductwork joints must be sealed and run upstream. In-hood backdraft damper must be used. In cold climates, insulate the ductwork in cold spaces to prevent moisture condensation, which can run down the ductwork into the cabinet below. A thermal break may be required. To reduce transfer of already low ventilator motor noise to hood, if possible, place one 90 degree elbow in duct run.

Decorative Hoods

The XL Professional hood liner is for use with custom wood hoods, mantles, arches, alcoves, tile or stucco-formed hoods.

The decorative hood and the XL Liner must fit at the bottom edge in both width and depth. The shape of the decorative hood is not critical. The only place where the XL Liner and the outside enclosure must meet is at the bottom edge of the metal liner.

Wood hoods can be out of square. Always measure inside depth and width in multiple locations and use the minimum dimensions to verify liner specifications.

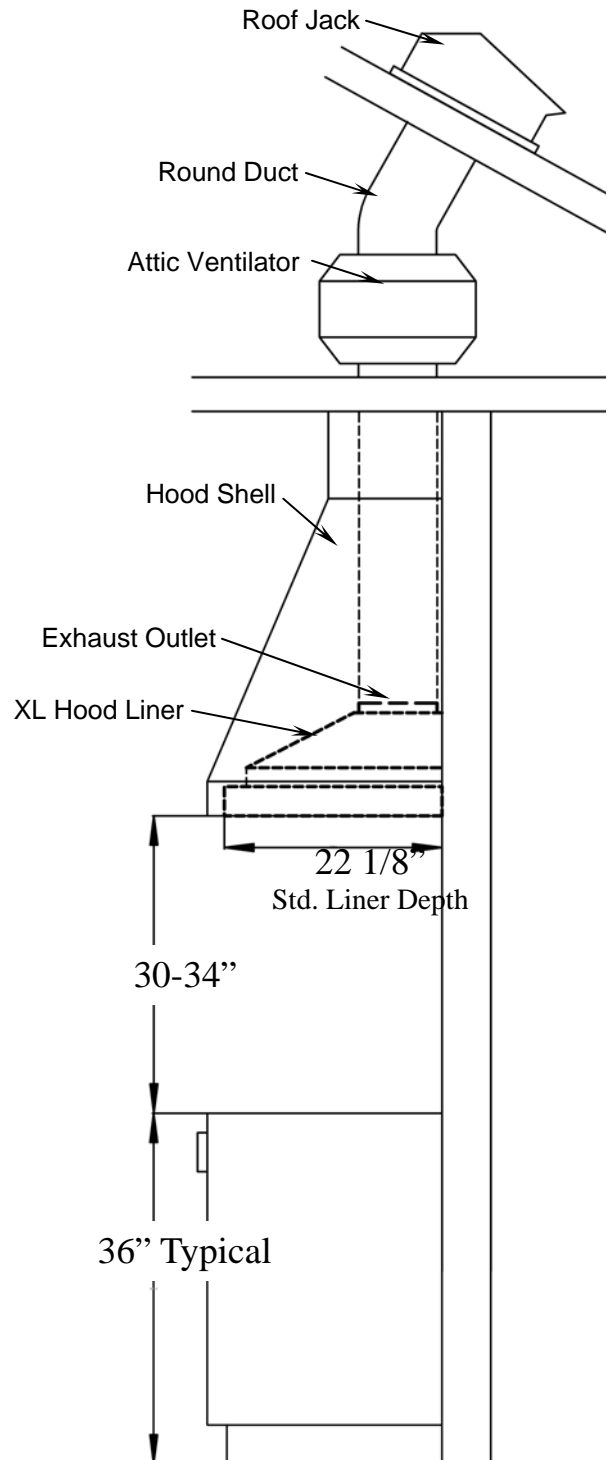
The bottom depth and width of the XL Liner must mate with the bottom interior dimensions of the decorative hood enclosure.

The height of the liner does not have to be the same as the height of the decorative hood.

The standard height of the XL Liner is 12", the top width and depth vary. Measure the interior depth and width of the decorative hood 12" up from the bottom to ensure that the liner will fit. The XL Liner comes standard with a 3" tall bottom apron. Be sure to include this dimension in consideration of the decorative hood enclosure.

Liner Installation

- 1) Read all instructions thoroughly before beginning installation.
- 2) When installing the decorative hood to the wall, begin by measuring 36" up from the floor (standard counter top height). It is recommended that the distance from the cooking surface to the bottom of the hood liner be 30" to 34". The liner should mount flush with and be attached to the decorative hood along the bottom edge.
- 3) If the back of the XL Liner is to attach directly to the wall, wood wall framing must be constructed, centered over the desired installation location and provide enough strength to support the weight of the hood liner. Remove filters to gain access to interior of liner back. Drill wall mounting holes through liner backwall using cobalt drill bit.
- 4) Pre-install the duct from the outside of the home to the liner. Use sheet metal screws and metal foil tape to connect and seal all joints. Run the duct down to the liner exhaust outlet





Connecting Electrical - For XL Liners Using Attic (in-line) Ventilators

Electrical Specifications Attic Ventilators

Blower Type	Specification
Attic Ventilator BL-AT-8	.43 HP ; Type Shaded Pole, 115V, 3 Amps, 60Hz. (800 CFM) Variable Speed motor control switch provided. NOTE: Requires (3) #14 wires for connection between ventilator J-box and in hood motor speed control.
Attic Ventilator BL-AT-12	.69 HP ; Type Shaded Pole, 115V, 4.9 Amps, 60Hz. (1200 CFM) Variable Speed motor control switch provided. NOTE: Requires (3) #14 wires for connection between ventilator J-box and in-hood motor speed control.
Lighting	115VAC, single phase, 60Hz; 2-way, single phase; Control: rocker switch, 20 Amp, 125 VAC; Lamp: 35 watt, line voltage quartz halogen (wall hoods 3-5 lamps; island hoods 6-8 lamps)
Circuit:	15 amp circuit required. Recommended to dedicate the circuit.

NOTE: Power cables, power connectors, conduit, etc. are not supplied.

Warning: The XL Liner and Attic Ventilator must be properly grounded. All wiring must be performed by a qualified electrician in accordance with all applicable national and local electrical codes. Before servicing or cleaning, switch power off at service panel and lock service disconnecting means to prevent power from being accidentally turned on.

- 1) The XL Liner's halogen lighting and Attic (in-line) Ventilator are switched in hood. A rocker switch is provided for the lighting and a variable speed control switch is provided for the ventilator.
- 2) Bring incoming power from service panel to the liner's Light/Control Panel/Junction box and feed conduit into the 7/8" knock-out.
- 3) Bring incoming power from service panel to the Attic Ventilator and run cable from the ventilator to the liner. See Separate Installation Instructions Included With The Attic Ventilator.
- 4) Remove Light/Control Panel inside liner and complete connection between light and motor speed control switches.

Connect black to black, white to white and green to ground.

Install Liner

- 1) Place liner underneath decorative hood and make electrical connections as described above.
- 2) While aligning duct, lift liner up into decorative hood (coil excess wire while lifting) and flush bottom edges of liner and hood. Duct should connect together as liner is raised into place.
- 3) Screw liner to decorative hood.