

ABBAKA

XL PROFESSIONAL HOOD LINERS



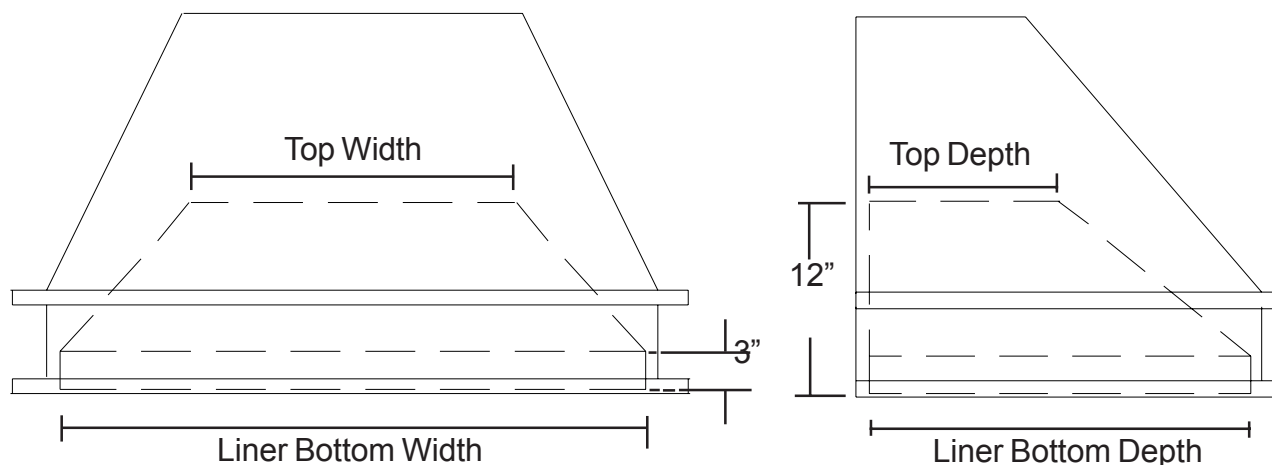
- **Commercial Performance & Designer Look** - Brushed stainless, rugged 16 gauge, type 304 non-magnetic, 18/8 chromium nickel steel means no rust. Each liner completely finished when the customer "checks under the hood", they'll find a trophy liner.
- **Standard Sizes** to fit 30", 36", 42", 48", 54", 60", 66" hoods available for quick ship
- **Custom Sizes** - width and depth to specification (4-week lead time); custom shape per quote
- **2 Powerful Ventilation Systems** - Real power even for a 36" hood. No more smoke spill-out from an underpowered wood hood over a BBQ. HY-EX REMOTE VENTILATOR (exterior wall or roof mount) 1000 or 1400 CFM. ATTIC VENTILATOR (in-line) 800 or 1200 CFM.
- **Variable Speed Control** - 100% control for exact adjustment to the exhaust capacity needed
- **Halogen Lighting** - precision placement with a flood/angle ratio that provides full left-right and front-rear cooking surface illumination with NO hot spots
- **Preassembled and prewired** for fast, easy installation
- **Accessories:** Motor Mufflers, Roof Curbs, Bottom Mount Flange (to protect exposed wood hood bottoms), Acoustical Ducting, Designer Roof Caps
- **Decorative Cladding** - Hy-Ex Remote Ventilator in copper or rugged powder-coated custom colors
- **7-Year Warranty** - the finest materials and construction allow the industry's best warranty

ABBAKA 

ABBAKA Professional Hood Liners

A hood liner program that is the quality, performance and aesthetic equal of the ABBAKA hood collection. For use with custom wood hoods, mantles, arches, alcoves and stucco formed hoods, each liner is finely crafted to produce a completely finished look for your custom hood.

Note: Island Liner not shown



Liner Dimension

Recommended Ventilation

	Model #	BOTTOM		TOP		Hy-Ex Ventilator †		Attic Ventilator*	
		W	D	W	D	H		A	
						Duct Size	CFM	Duct Size	CFM
Wall Hood Liners	VSW-3024-A/H	28 3/8"	22 1/2"	11"	11"	10"	1000	8"	800
	VSW-3624-A/H	34 3/8"	22 1/2"	11"	11"	10"	1000	8"	800
	VSW-4224-A/H	40 3/8"	22 1/2"	11"	11"	10"	1000	8"	800
	VSW-4824-A/H	46 3/8"	22 1/2"	19"	11"	10"	1400	10"	1200
	VSW-5424-A/H	52 3/8"	22 1/2"	16"	11"	10"	1400	10"	1200
	VSW-6024-A/H	58 3/8"	22 1/2"	20"	11"	10"	1400	10"	1200
	VSW-6624-A/H	64 3/8"	22 1/2"	28"	11"	10"	1400	10"	1200
	VSW-7224-A/H	70 3/8"	22 1/2"	31 9/16"	11"	10"	1400	10"	1200
VSW-7824-A/H	76 3/8"	22 1/2"	39 9/16"	11"	10"	1400	1400	10"	1200
Island Hood Liners	VSI-3627-A/H	36"	27"	11"	12"	10"	1000	8"	800
	VSI-4227-A/H	42"	27"	11"	12"	10"	1000	8"	800
	VSI-4830-A/H	42"	30"	11"	15"	10"	1000	8"	800
	VSI-4827-A/H	48"	27"	19"	12"	10"	1000	8"	800
	VSI-5430-A/H	54"	30"	16"	15"	10"	1400	10"	1200
	VSI-6030-A/H	60"	30"	20"	15"	10"	1400	10"	1200
	VSI-6630-A/H	66"	30"	28"	15"	10"	1400	10"	1200
	VSI-7230-A/H	72"	30"	31 9/16"	15"	10"	1400	10"	1200
VSI-7830-A/H	78"	30"	39 9/16"	15"	10"	1400	10"	1200	

† Low-profile, high performance remote ventilator

* In-line (attic mount or similar location) ventilator

Hood Liner/Blower Ventilation System Types

Code Description

H Hy-Ex 1.4K Ventilation System:

- *Hyper-quiet, Low Profile Exterior Wall or Roof Mount Ventilator* - Ultra-low ambient noise (40 db); Maximum output limiter control available for 1000 CFM and 1400 CFM output.
- *Stainless Steel Hood Liner* - 16 gauge; Type 304 houses commercial baffle filters; halogen lights; light control and infinitely variable motor speed control switch.

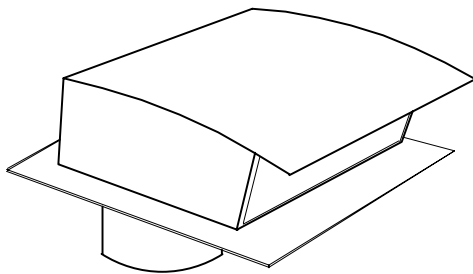
A Attic (in-line) Ventilation System:

- *Attic Mount (or similar location) Ventilator* - 800 or 1200 CFM blower
- *Stainless Steel Hood Liner* - 16 gauge; Type 304 houses commercial baffle filters; halogen lights; light control and infinitely variable motor speed control switch.

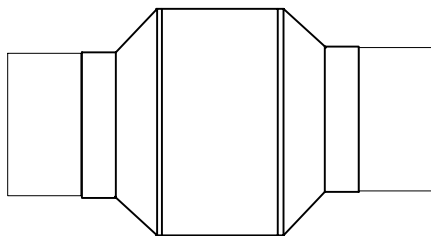
ABBAKA System Advantages

- ◆ Hood shape not forced by motor size
- ◆ Increased size/power ratio moves air through longer duct runs, more turns & restrictions
- ◆ Moves the motor noise from inside the hood to outside the kitchen

Choosing The Right System



■ **Hy-Ex 1.4K Exterior Ventilation** - use when the installation location on the house exterior is in an aesthetically sensitive position (ex: highly visible from a deck or outdoor entertainment area) or noise-sensitive area (ex: wall mounted unit near the property line).



■ **Attic (in-line) Ventilation** - use when an absolutely minimal exterior penetration and corresponding roof cap or wall louver is desired (for example on a tiled roof or when exhaust must be at front of house). NOTE: as motor installs in attic or similar location, be aware of ventilator's proximity to living areas.

Accessories (per quotation)

- | | |
|---|--|
| <ul style="list-style-type: none"> ■ Hy-Ex Decorative Finishes- copper or color ■ Mufflers ■ Wall Mount Control Switch & Plate | <ul style="list-style-type: none"> ■ Bottom Mount Flange ■ Accoustical Ducting ■ Designer Roof Caps |
|---|--|

Model Numbers

VSW-3624-H

Ventilation System

W for Wall Mount
I for Island Mount

Hood Width

Hood Depth

Ventilation Type*

Custom Hood/Liner Ventilation Selection Guide

The size and heat rating (total BTU or Watts) of the cooking equipment to be ventilated dictate the required hood size and power measured in CFM (Cubic Foot per Minute) exhaust capacity. Standard electric and gas ranges or cooktops require less ventilation capacity than the heavy residential, "Professional" restaurant-type range or cooktop, wok or barbeque grill.

<i>WALL MOUNTED LINER TYPE</i>				<i>ISLAND MOUNTED LINER TYPE</i>			
Cooking Equip.	Hood W	H* CFM	A* CFM	Cooking Equip.	Hood W	H* CFM	A* CFM
30" Professional	36	1000	800	30" Std. or Pro.	36	1000	800
36" Professional	36	1000	800	36" Std. or Pro	42	1000	800
	42	1000	800		42" or 45" Std/Pro	48	1000
48" Professional	48	1400	1200	48" Professional	54	1400	1200
	54	1400	1200				
60" Professional	60	1400	1200	60" Professional	66	1400	1200
	60	1400	1200				
48" Pro+24" Wok	72	1400	1200	48" Pro+24" Wok	78	1400	1200
	78	1400	1200				

Code Key Vent Types

H*: Hy-Ex Exterior Ventilation System - low profile/hyper quiet exterior wall or roof mounted ventilator

A*: Attic (in-line) Ventilation System - ventilator located in attic or similar location

O*: Liner with No Ventilator



P.O. Box 215, Bodega Bay, CA 94923-0215 USA
Tel. (800) 548-3932 • Fax (800) 548-3930
webmail@abbaka.com • www.abbaka.com